

CUBE Rectangular Double Wall Ducts

Description

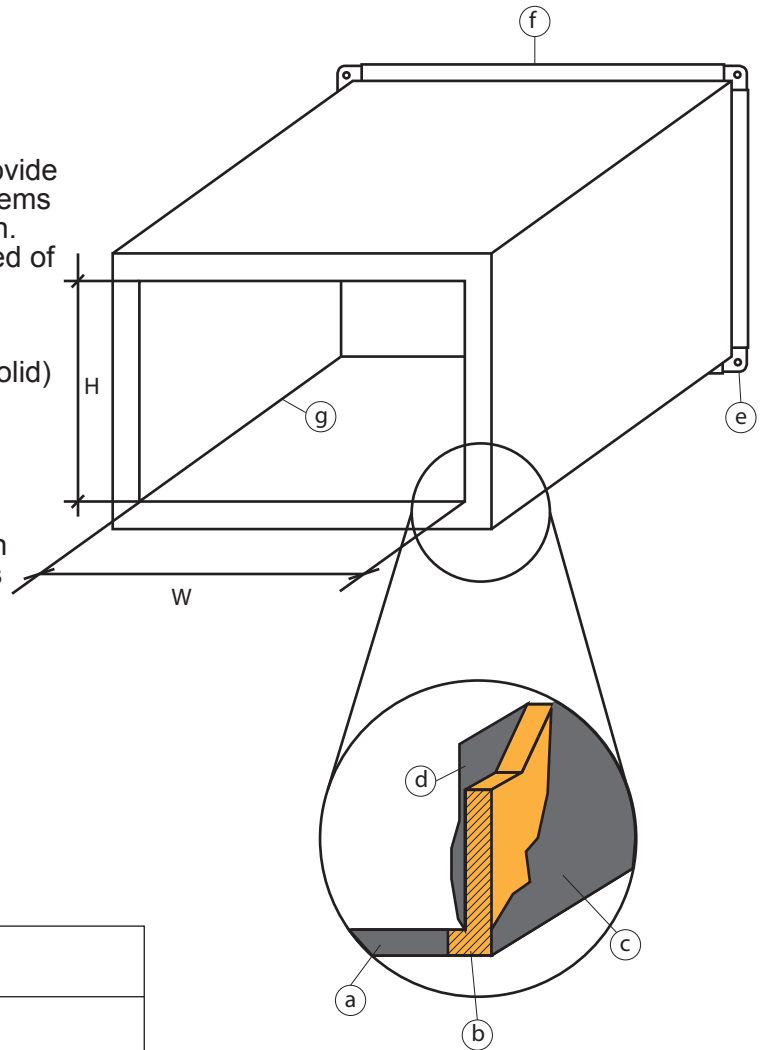
CUBE double wall rectangular duct and fitting provide exceptional thermal control in air distribution systems and is ideal for external and roof ducts application. This double wall, insulated ductwork is constructed of solid metal outer shell and solid metal inner shell with a layer of insulation sandwiched between.

Our standard construction is: Galvanized steel (solid) inner and outer shell.

Several types of insulation material, densities & thickness are available.

As for the outer and inner shell can be supplied in galvanized steel, black steel, aluminum, stainless steel and painted steel.

Standard length is 1200 mm.



W	Width of duct (inner skin)
H	Height of duct (inner skin)
a	U channel guard to cover the Liner
b	Afico Insulation; Mechanical board (KCL - 48 kg/m ³ x 25mm thk)
c	Outer skin GI - G 90; 0.6mm sheet
d	Inner skin GI - G 90; according to SMACNA and project specs
e	DuctMate Corner 35mm
f	DuctMate Flange 35mm
g	Duct Sealant; Foster 32-17